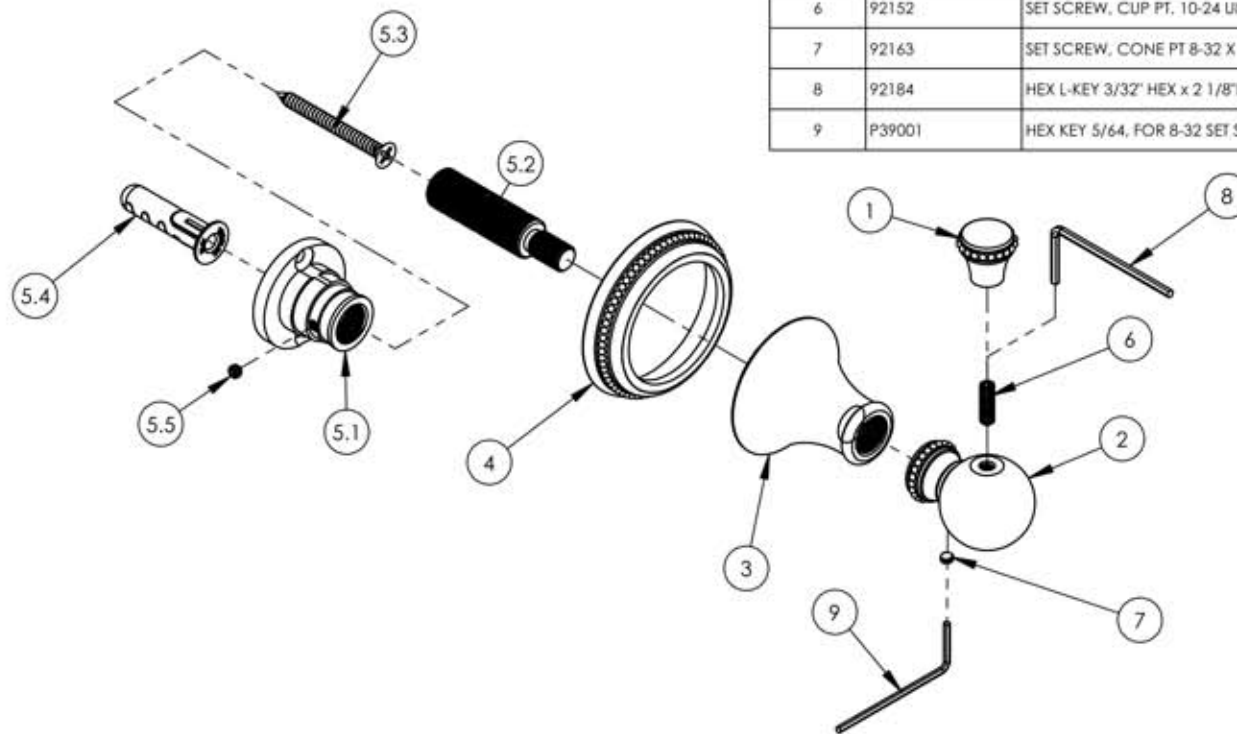


ITEM NO.	PART NUMBER	DESCRIPTION	QTY.
1	10531/00	ROBE HOOK FINIAL, BEADED SERIES	1
2	10533/00	ROBE HOOK POST, BEADED SERIES	1
3	10972/00	HUB, TRANSITIONAL 3RING	1
4	10973/00	ESCUTCHEON, BEADED HANDLE	1
5	2-104	MOUNTING KIT WITH BROACH	1
5.1	11050	MOUNTING KIT, WALL FLANGE	1
5.2	11083	EXTENSION BROACH FOR MOUNTING KIT	1
5.3	92043	SCREW, FLAT HD #10 SIZE W/ #2 PHIL DRIVE, 2'L	1
5.4	92046	ANCHOR SCREW 3/8" HOLE, TOGGLER AF10	1
5.5	92248	SET CREW, CUP POINT 8-32 UNC. 1/8" L.	1
6	92152	SET SCREW, CUP PT. 10-24 UNC X 5/8" L.	1
7	92163	SET SCREW, CONE PT 8-32 X 1/8" L.	1
8	92184	HEX L-KEY 3/32" HEX x 2 1/8" L.	1
9	P39001	HEX KEY 5/64, FOR 8-32 SET SCREW	1



A

B

C

D

E

ZONE	REV.	DESCRIPTION	DATE	APPROVED
REVISIONS				
1261 LOGAN AVENUE COSTA MESA, CALIFORNIA 92626		PHYL RICH [®]	PROPRIETARY AND CONFIDENTIAL	
PHONE: 714.361.4800 FAX: 714.617.3120			THE INFORMATION CONTAINED IN THIS DRAWING IS THE SOLE PROPERTY OF RISS MANUFACTURING. ANY REPRODUCTION IN PART OR AS A WHOLE WITHOUT THE WRITTEN PERMISSION OF RISS MANUFACTURING IS PROHIBITED.	
Defining Luxury Since 1959				

-	-	INTERPRET GEOMETRIC DIMENSIONING & TOLERANCING IN ACCORDANCE WITH ASME Y14.5-2009 & ASME Y14.41-2003 STANDARDS. UNLESS OTHERWISE SPECIFIED, DIMENSIONS ARE IN INCHES. TOLERANCES ARE:		
NEXT ASSY	USED ON	FRACTIONS ±1/64"	DECIMALS X.X: ±.1 X.XX: ±.01 X.XXX: ±.005	ANGULAR ±.5°
APPLICATION		MATERIAL	NAME	DATE
FINISH		DRAWN	LLO	10/2/2015
DO NOT SCALE DRAWING		CHECKED	GRE	

ROBE HOOK, SINGLE POST, BEADED SERIES		
SIZE	ASM/PRT NO.	REV
A	207-76/00	-
SCALE: 1:2.5	WEIGHT: lbs.	SHEET 1 OF 2

5

4

3

2

1